

/// PARKSIDE®



DENT REPAIR KIT

WWS-HKP20-F02
WWS-DRS21-CFU1

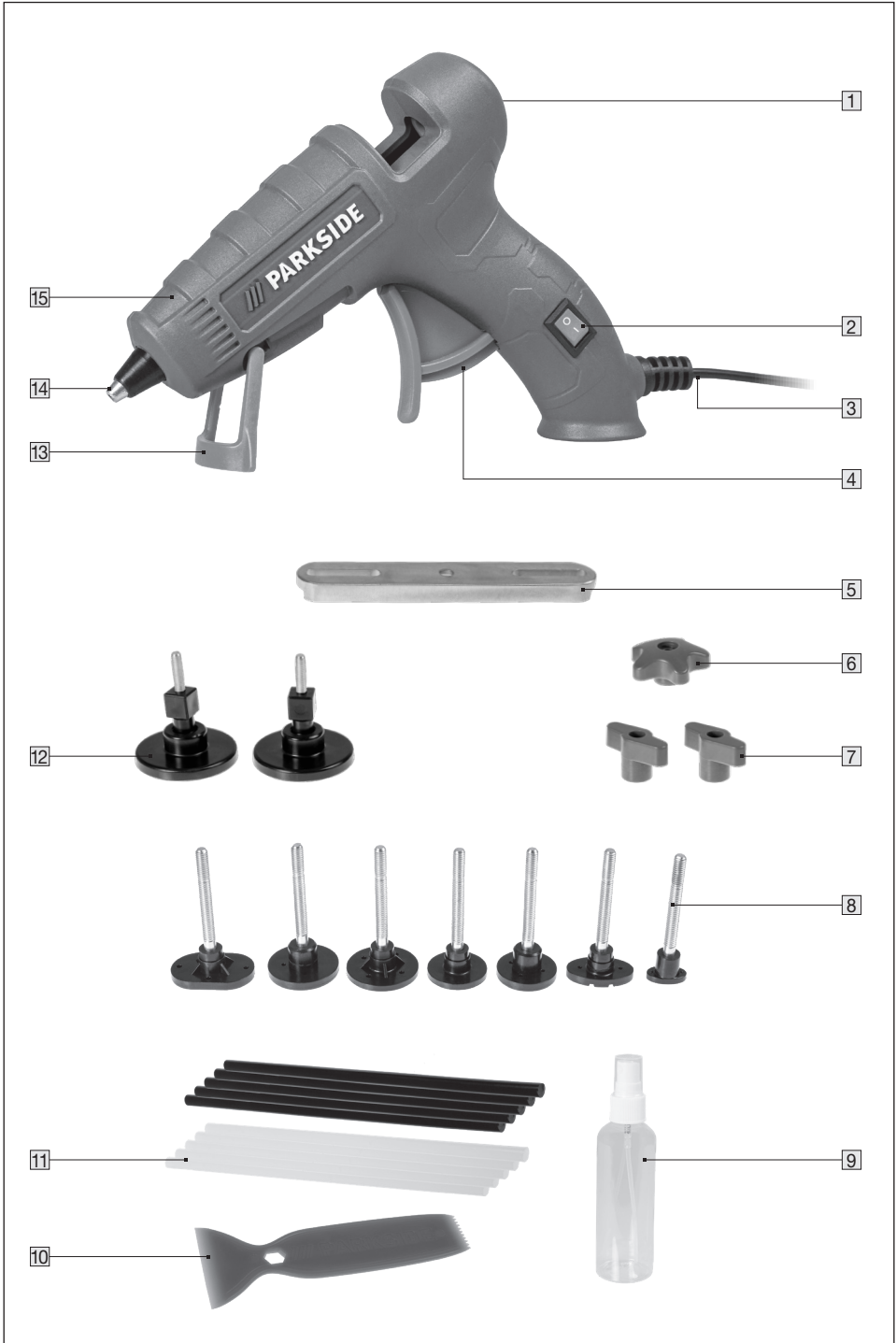
GB

DENT REPAIR KIT

Original user manual

IAN 472138_2407

GB



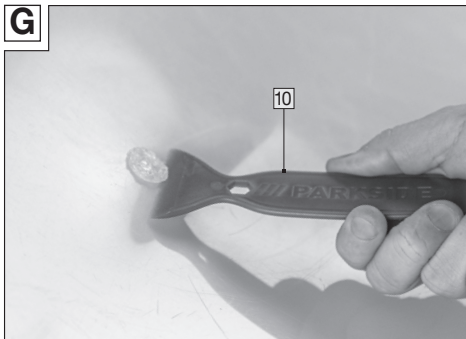
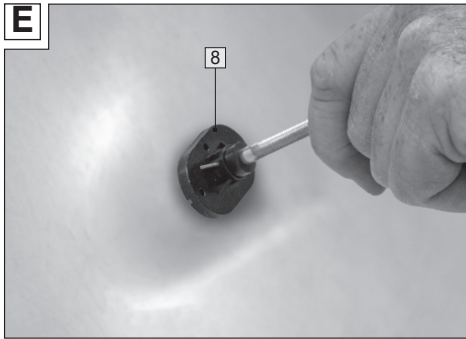
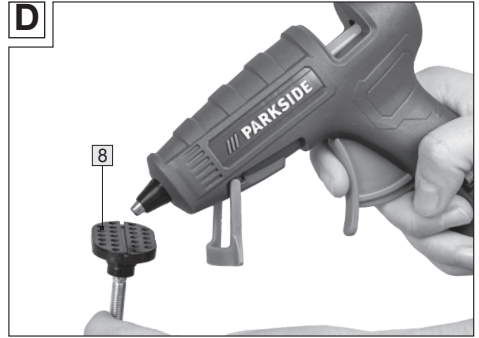
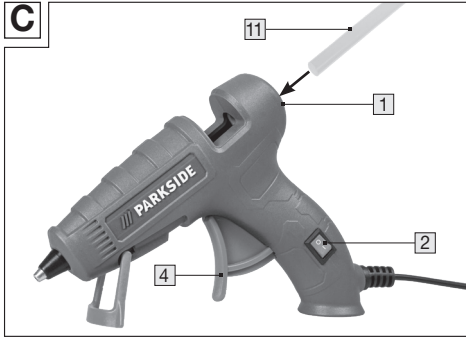
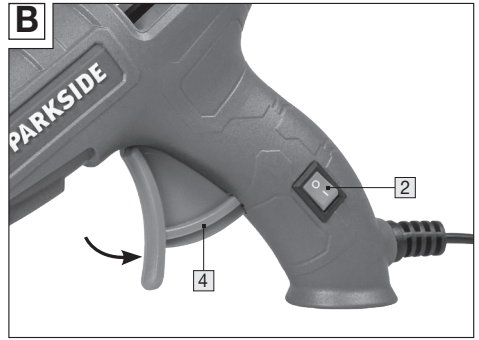
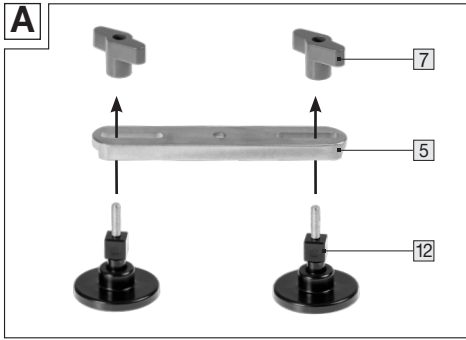


Table of contents

1. Introduction	05
Symbols used.....	05
Description of the parts.....	06
2. Technical data	06
3. Safety	06
Intended use.....	06
Residual risks.....	07
General safety instructions for power tools.....	07
4. Before Use	09
Checking the product and scope of delivery.....	09
Assembling the repair bracket (Fig. A).....	09
5. Usage	09
Switching the hot glue gun on/off (Fig. B).....	09
Preparing the surface.....	10
Repairing dents (Fig. C-G).....	10
6. Maintenance, cleaning, storage and transport	11
Maintenance.....	11
Cleaning.....	12
Storage.....	12
Transport.....	12
7. Troubleshooting	13
8. Recycling	13
Dispose of packaging, paper and printed matter.....	13
Disposal of the product.....	13
9. Declaration of conformity	14
10. Warranty	14
11. Service	15

1. Introduction

Congratulations on the purchase of your new product. You have purchased a high quality product. This operating manual is an integral part of this dent repair kit (hereafter referred to only as the "product"). It contains important instructions on safety, use and disposal of the product. Please familiarise yourself with all operating and safety instructions before using the product. Use the product only as described and for the specified purposes. If the product is passed on to a third party, please provide all documents to the third party together with the product. The digital form of this operating manual is also available from the service department of the manufacturer. Revision: ID 001 - 2025-02 - REV001

Symbols used

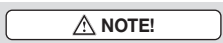
The following symbols and key words will be used in this manual, on the product or the packaging.



Indicates a hazard which, if not avoided, could result in death or serious injury.



Signals a hazard that can cause injuries when ignored.



Warns of possible damage to property.



Products marked with this symbol comply with all applicable regulations of the European economic area.



This symbol refers to useful information on assembly or usage.



Protection category II. (double insulation)



Read the operating instructions.



Do not pull out the hot glue stick.

The model name of the product is a combination of letters and numbers:

WWS - **HKP** **20** - **F02**
Distributor Product (ENG) Power Version

Distributor = WALTER Werkzeuge Salzburg GmbH (WWS); **Product (ENG)** = Hot glue gun (HKP);
Power = 20 W (60 W); **Version** = F02

WWS-DRS21-CFU1
=
Dent Repair Kit

Description of the parts

- 1 Cartridge holder (for hot glue sticks)
- 2 ON-OFF switch
- 3 Power cord with plug
- 4 Trigger
- 5 Pulling plate bracket
- 6 Screw handle for pulling plates
- 7 2 screw handles for support plates
- 8 7 pulling plates
- 9 Spray bottle (empty)
- 10 Adhesive remover
- 11 10 hot glue sticks
- 12 2 support plates
- 13 Support bracket
- 14 Outlet nozzle
- 15 Heating chamber

2. Technical data

Model number	WWS-HKP20-F02
Rated voltage	230 V ~ 50 Hz
Rated power:	20 W (starting power: 60 watts, then drops to below 20 watts)
Pre-heat time:	approx. 5 minutes (approx. 150° C)
Temperature:	max. 170° C (+/- 10° C)
Protection category:	II

Suitable for commercially available hot glue sticks with Ø 7 mm

3. Safety

Intended use

This product is intended exclusively for private use in the hobby and do-it-yourself sector for the following purposes:

- For repairing dents on motor vehicles.

Any other use is ruled out and is considered misuse. The manufacturer or dealer shall not accept any liability for injuries, loss or damage caused by misuse or improper use.

Examples of misuse or improper use are:

- Using the product for purposes other than the intended purpose.
- Failure to follow the safety instructions and warnings as well as the assembly, operating, service and maintenance instructions given in this operating manual.
- Failure to follow any accident prevention, occupational health or safety regulations specific and/or generally applicable to the use of the product.
- Using accessories and spare parts not intended for this product.
- Repair of the product by a person other than the manufacturer or a technician.
- Commercial, non-industrial or industrial use of the product.
- Operation or maintenance of the product by those who do not know how to handle the product and/or do not understand the risks associated with it.

Use the accessories according to these instructions. Failure to follow the instructions given in this user manual may result in serious injuries and loss

of warranty. Comply with applicable local or national regulations concerning the use of this product. Never make any changes to the product. Any modification to the product may be dangerous and is prohibited.

Residual risks

Despite intended use, non-obvious residual risks cannot be completely ruled out. Due to the nature of the product, the following dangers may arise:

- Risk of burns caused by touching the hot components of the product.
- Risk of burns caused by the liquid glue.
- Overheating and fire hazard by covering the product.


General safety instructions for power tools

WARNING!

Read all the warnings and safety instructions carefully.

Failure to follow the warnings and safety instructions may result in electric shock, fire and/or serious injuries.

Retain all the warnings and safety instructions for future reference.

- a) This appliance can be operated by children from 8 years of age and above, as well as by people with reduced physical, sensory or mental capacities or who lack knowledge or experience, if they have been supervised or instructed regarding safe use of the appliance, and understand the resultant dangers. Children should not play with the appliance. Cleaning and user maintenance shall not be made by children without supervision.**
- b) To prevent the risk of injury, damaged mains cables may only be replaced by the manufacturer, by customer service or by a similarly qualified person.**
- c) Allow the hot glue gun to cool down completely after use before you put it away.**
- d) WARNING: The hot glue gun must be placed on the support bracket , when it is not being used.**
- e) Do not use the hot glue gun if**

the handle, the mains cable or the mains plug is damaged.

- f) **Do not use the power cable for unintended purposes, such as carrying or hanging up the hot glue gun, and do not pull the power cable to disconnect the device from the mains. Keep the power cable away from heat, oil, sharp edges.**
The power plug should be disconnected immediately if the mains cable is damaged or cut while working. Do not touch the cable, only pull the mains plug. Damaged or entangled cords increase the risk of electric shock.
- g) **Do not expose the hot glue gun to moisture or rain.**
- h) **Avoid contact between the hot parts of the hot glue gun and the heat-sensitive objects in the surrounding.**
- i) **Do not touch the hot glue gun nozzle, the melted glue or hot components while using the gun, risk of burns!** *In the event of contact with the skin, hold the affected area under cold running water for a few minutes. Do not attempt to remove glue stuck to the skin.*
- j) **Always disconnect the device from the mains after finishing work!**
- k) **Allow the hot glue gun to cool completely after use and before storing.**
- l) **Do not cool the hot glue gun by rinsing it with water!**
- m) **Be careful when using the hot glue gun near flammable**

materials.

- n) **Do not work on material containing asbestos.**
- o) **Do not point at the same spot for long time.**
- p) **Do not leave the hot glue gun unattended while it is in operation.**
- q) **Always route the power cable away (towards the back) of the device.**
- r) **Do not pull the glue stick back! Cut it to store the device in its original packaging.**

4. Before Use

Checking the product and scope of delivery

- Remove the product from its packaging.
- Check whether the delivery is complete (see chapter: "Scope of delivery / Description of parts")
- Check whether the product or its individual parts are damaged.
- If this is the case, do not use the product. Contact the manufacturer via the service address given in the "Warranty" chapter.

Assembling the repair bracket (Fig. A)

- Insert the support plates **12** to the right and left side of the pulling plate bracket **5** through the slots.
- Fix the respective support plate using a screw handle for support plates **7**.
- Tighten the screw handle by hand in clockwise direction.

5. Usage

WARNING!

Never cover the hot glue guns or its nozzle with blankets, clothing or anything similar once they are hot.

Do not touch the hot glue or the nozzle with your fingers. *The glue and the nozzle tip become hot up to 170°C!*

NOTE!

Always keep the hot glue gun clean and remove any remaining glue before each use. Read the chapter "Cleaning" in this regard.

Switching the hot glue gun on/off (Fig. B)

Switching on:


- Insert the power cord with mains plug **3** into a 230 V ~ / 50 Hz mains socket.
- Push the ON-OFF switch **2** to '1' position.
- The glue gun heats up. The heating time is about 5 minutes to reach about 150° C.

Switching off:

- Push the ON-OFF switch to 'O' position.
- Disconnect the mains plug.

Switching off the hot glue gun:

⚠ CAUTION!

The hot glue gun must be placed on the support bracket , when it is not being used. Do not place the gun in any other way as this can lead to burns.

- Open the support bracket.
- Place the hot glue gun upright.

Preparing the surface

- To begin, clean the surface of the damaged area with a damp, clean cloth.
 - The gluing surfaces have to be absolutely clean, dry and free of grease.
 - Do not use flammable solvents to clean the gluing surfaces.
- The ambient temperature and the materials being glued must not be colder than +5°C and not hotter than +50°C.
- Those materials (e.g. steel) that cool down quickly should be warmed up a little to achieve better bonding.

Repairing dents (Fig. C-G)

Practice before you start working with the hot glue gun. Carry out trials on waste material. The correct amount of glue and the feed rate for each application depend on the size and properties of the materials you wish to join and can only be determined by trial and error.

⚠ NOTE!

The ideal temperature range for removing dents is approx. 15-25 degrees Celsius outside temperature. At low temperatures, carry out the repair in the garage or heat the dent first using a hairdryer. If the dent does not go completely, repeat the process until the desired result is achieved. (Note: Not all dents can be repaired 100%). If the paint is damaged, applying adhesive and pulling out the dent may peel the paint off. Not suitable for: Dents that are smaller than the pulling plate, dents with a pointed tip or edge, large dents.

If adhesive remains on the vehicle or the pulling plate cannot be removed, you can gently reheat the adhesive using a hair dryer and use acetone/isopropyl alcohol to remove it. Put a few drops on a cloth and clean the affected area for a few seconds using light, circular movements. Alternatively, you can use the empty spray bottle provided. But first check for paint compatibility at an unnoticeable spot!

- Switch on the hot glue gun (see chapter "Switching on / off").
- Insert a hot glue stick **11** into the glue stick holder **1**.
- Press the trigger **4** to move the hot glue stick into the heating chamber **15**.
- Allow the heating chamber and the hot glue stick to heat up for about 2 minute for the glue to melt.
- Press the trigger to apply glue from the outlet nozzle **14** to the gluing surface.
- Select a pulling plate **8** depending on the dent size.
 - The larger the pulling plate, the greater the pulling force
 - The pulling plate size must be smaller than the dent size.
- Press the trigger to apply glue from the outlet nozzle to the pulling plate.
 - Apply a generous amount of hot glue from the hot glue gun to the selected pulling plate.
 - Make sure that all holes of the pulling plate are filled with glue.
- Immediately place the pulling plate in the centre of the dent and hold it until it sticks firmly.
 - Allow the glue to cure for about 8 minutes.
- Insert the assembled pulling plate bracket **5** with the hole in the centre over the screw thread of the glued pulling plate.
- Screw the screw handle for pulling plates **6** onto the screw thread of the pulling plate.
- Slowly tighten the screw handle clockwise until the desired shape is achieved or the pulling plate detaches from the surface.
- If necessary, repeat the process to improve the result.

- Carefully remove the pulling plate and any remaining adhesive residue using the adhesive remover **10** provided.

6. Maintenance, cleaning, storage and transport

WARNING!

Remove the mains plug and allow the product to cool down completely, before carrying out any adjustment, maintenance or repair.

Maintenance

The product requires very little maintenance.

Only use spare parts / accessories from the manufacturer or authorised and qualified workshops.

Repairs should only be carried out by qualified technicians or by an authorised service centre. Qualified technicians must have relevant training and experience, be familiar with the design and construction requirements of the product and understand and follow the safety regulations.

Cleaning

⚠ NOTE!

Do not use aggressive cleaning agents, brushes with metal or nylon bristles, or any sharp or metallic objects such as knives, hard scrapers etc. These can damage the surface.

Do not use running water or other liquids to clean and prevent water from getting inside the product.

Do not use electrical cleaning equipment.

- Wipe all the surfaces and components with a slightly dampened cloth.
- Dampen the cloth using a mild soap solution.
- Allow all the parts to dry completely.


Storage

- Clean the product before storage (see chapter "Cleaning").
- Keep the product in a safe, cool, dry and well-ventilated place, out of the reach of children when not being used.

Transport

- Use the original packaging and secure the product against shock and vibrations during transport.

7. Troubleshooting

Problem	Possible cause	Solution
Hot glue gun does not heat up.	No power supply.	Check if the mains supply (socket) is working properly. Ask a competent person for advice if necessary.
	Mains cable or plug defective.	Have the mains cable replaced by the manufacturer or the manufacturer's representative.
Hot glue stick does not melt.	Hot glue gun is not fully heated.	Allow the hot glue gun to heat up fully. Duration : approx. 5 minutes
	Hot glue stick is not inserted correctly.	Press the trigger  , till the hot glue stick butts against the stopper in the heating chamber.

8. Recycling

Dispose of packaging, paper and printed matter



Dispose of the packaging, paper and printed matter according to the type of material and according to any local regulations.

waste disposal companies. The disposal is free of cost for you. Protect the environment and dispose of it properly.

The following applies to the German market:

When purchasing a new appliance, you have the right to return the old appliance to your dealer. Dealers of electrical and electronic appliances with a sales area of at least 400 square metres and food retailers with a sales area of at least 800 square metres who regularly sell electrical and electronic appliances are obliged to take back old appliances free of charge, even if you do not purchase a new appliance, if the dimension of the old appliance does not exceed 25 cm. The importer offers you return options directly in the shops and markets.

Disposal of the product



The adjacent symbol of a crossed-out dustbin indicates that this device is subject to Directive 2012/19/EU. This directive states that you should not dispose of this appliance with normal household waste at the end of its service life, but have to take it to specially equipped collection points, recycling centres or

Please also contact your dealer for information on local return options.

If your old appliance contains personal data, you are responsible for deleting it before returning it.

If this is possible without destroying the old appliance, remove the old batteries or rechargeable batteries and lamps before returning the old appliance for disposal and separate them for collection.

If the batteries are permanently installed, indicate when disposing of the appliance that it contains a battery.

Contact your local municipality or city administration if you are looking for other ways to dispose of old appliances.

9. Declaration of conformity

The EU declaration of conformity can be requested from the address mentioned in the "Service" chapter.

10. Warranty

Warranty provided by Walter Werkzeuge Salzburg GmbH

Dear customer,

This device comes with a 3 year warranty from the date of purchase. In case of defects in the product you may be entitled to legal claims against the seller of the product. These legal claims are not restricted by the following warranty.

Conditions of warranty

The warranty period begins with the date of purchase. Please preserve the original sales receipt. This document is required as proof of purchase. If a material or fabrication defect occur in this product within three years from the date of purchase, the product shall be repaired or replaced free of cost at our discretion. Within the three year period the warranty requires the defective product and the purchase document (sales receipt) to be provided with a brief written description of where the defect lies and when it occurred.

If the defect is covered by our warranty, the repaired product or a new product shall be returned to you. A new warranty period does not begin with the repair or exchange of the product.

Warranty period and legal claims based on defects

The warranty period is not extended by the warranty. This also applies to replaced and repaired parts. Any damages and defects that may exist at the time of purchase must be notified immediately after removal from packaging. Any repairs arising after the expiry of the warranty period are chargeable.

Scope of the warranty

The device has been manufactured according to strict quality guidelines and tested diligently before delivery. The warranty applies to material or fabrication defects. This warranty does not cover product parts that are subject to normal wear and tear and therefore can be considered as parts subject to wear and tear or for the damage to fragile parts, e.g. switch, batteries or those made of glass.

This warranty is void if the product is damaged, not used or maintained properly. All the instructions provided in the operating manual must be followed exactly for proper use of the product. The purpose of use and actions which are advised or warned against must necessarily be avoided.

The product is intended solely for private use and not for professional use. The warranty is void in case of misuse or improper handling, use of force and changes that have not been carried out by our authorised service centre.

Processing a warranty case

To ensure quick processing of your issue, please follow the below instructions:

- Please be ready with the sales receipt and the product number (e.g. IAN 12345) as proof or purchase for all queries.
- You can refer the product number from the type label, an engraving, on the cover sheet of your operating instructions (below left) or as sticker on the back or lower side.
- If functional or other defects occur, first **call** or **email** the following service department.
- You can then send a product recorded as defective postage free

along with the sales receipt and information about where the defect lies and when it has occurred, to the service centre address provided to you.

This and many other manuals, product videos and software can be downloaded at www.kaufland.com/manual

11. Service



Walter Werkzeuge Salzburg GmbH
E-Mail: service@walteronline.com
Tel.: 00800 925 837 88
IAN 472138_2407

Supplier:

Please note that the following address is not a service centre address. Please contact the above-mentioned service centre first.

Walter Werkzeuge Salzburg GmbH
Gewerbeparkstr. 9, 5081 Anif, Austria

Walter Werkzeuge Salzburg GmbH

Gewerbeparkstr. 9
5081 Anif, Österreich

V. 1.0

Last Information Update:

02/2025

IAN 472138_2407